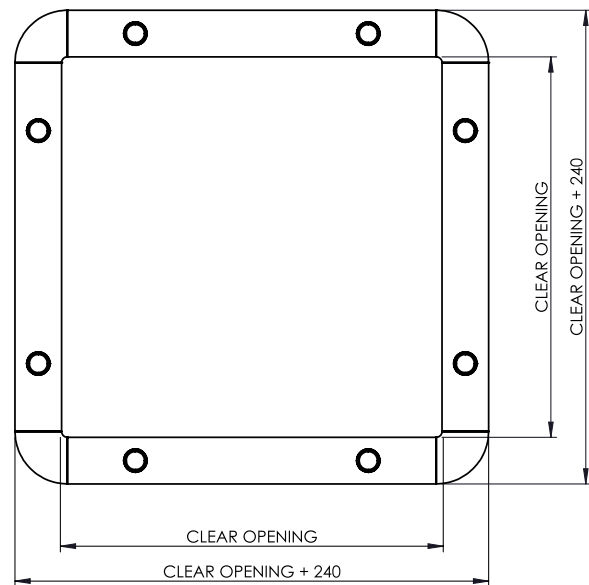
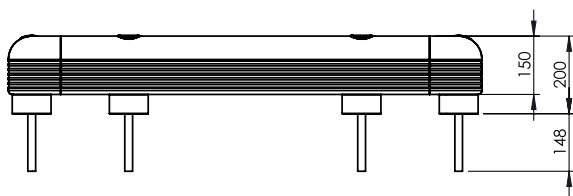
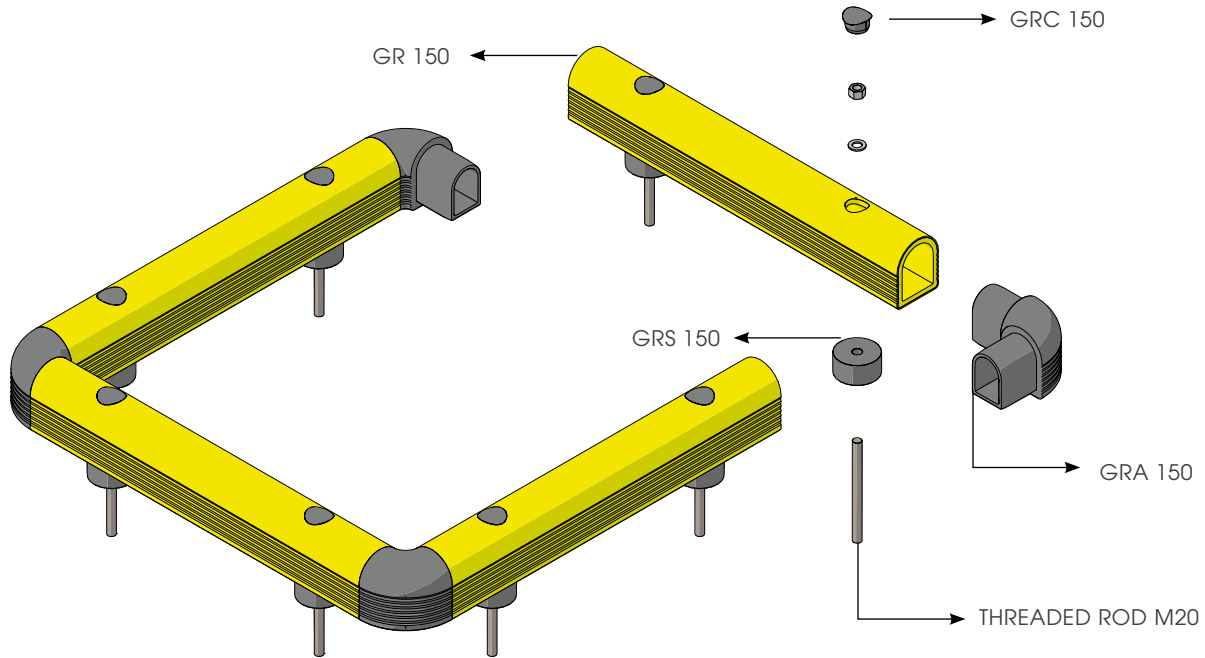


COPRO 150

Resistenza: 4525,00 Joules



* The unit data is proved by tests, stored in dmr, on excellent conditions goods. Such tests cannot take note of particular situations, installation or bad maintenance.

Rev. n°. 00	Data 01/04/2019	Modifica: Prima emissione	Firma Mattia G.
	Materiale PVC	Q.tà _____	1° Controllo _____
	Scala 1:4	Denominazione	2° Controllo _____
		ROD 120	Nr. Disegno _____